

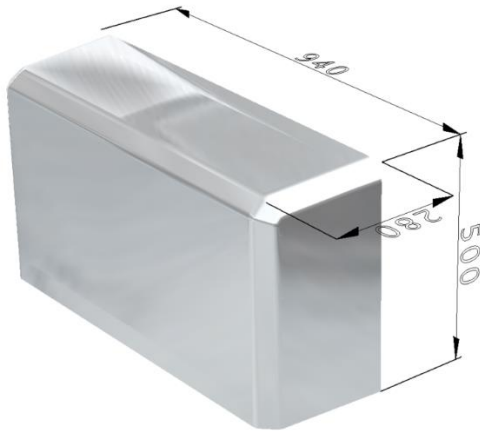


MULTI T by CARfibreglass is the new range of **ABS products** dedicated to coachbuilders who work in the conversion of temperature-controlled vehicles.

It is made up of specially designed components so to facilitate the installation on the vehicle, reducing assembly times, with the aim of allowing the coachbuilder to speed up the activity and save costs.

RANGE OF PRODUCT

WHEEL ARCH PROTECTION

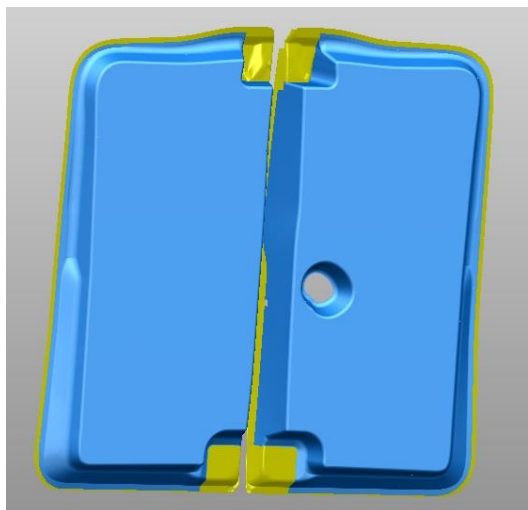


- 4 mm ABS - white color (RAL 9010)
- Specific ABS material for automotive use and suitable for contact with food
- The dimensions are designed to use the same kit for Fiat Ducato (and similar) MB Sprinter, Renault Master (and similar) VW Crafter (and similar), Iveco Daily and Ford Transit as far as the vehicle has **single wheels.**
- The generous dimensions allow it to be used with insulated walls of different thickness, the component can be easily cut (length and height) and customized during assembly operations
- The cover kit must be filled by the coachbuilder with insulating material (of different thicknesses)
- Installation must be carried out using glue.

AVAILABLE FROM 15/12/2020



REAR DOORS KIT



- 4 mm ABS - white color (RAL 9010)
- Specific ABS material for automotive use and suitable for contact with food
- The kit must be filled by the coachbuilder with insulating material (max. 60 mm thicknesses)
- The component has been designed with the necessary openings to allow access to the original components of the vehicle (ex locks)
- Installation must be carried out using rivets.

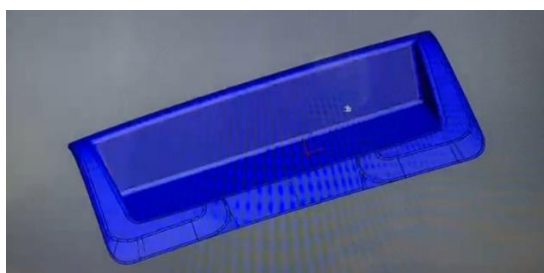
AVAILABILITY:

From 7/01/21 PSA Partner and Expert

From 30/01/21 MB Sprinter and VW Crafter

other models in the following months

RECESS IN KIT FOR REFRIGERATOR H2 VEHICLES



- 4 mm ABS - white color (RAL 9010)
- Specific ABS material for external automotive use
- The kit is for Ducato (and similar) MB Sprinter, VW Crafter (and similar) and Renault MAster (and similar) always H2.
- The bracket connection kit between the component and the vehicle is offered as an option
- The niche is designed to allow the assembly of any brand of fridge condenser

AVAILABILITY:

From 7/01/21 Fca Ducato and similar

other models in the following months

CAR FIBREGLASS
van conversion